

USER MANUAL

2 Port DVI SPLITTER

Dual link DVI-D & up to 4K

Model No: AA6180

REMARK

Manufacturer does not make any commitment to update the information contained herein.

Dear customer

Thank you for purchasing this product. For optimum performance and safety, please read these instructions carefully before connecting, operating or adjusting this product. Please keep this manual for future reference.

The products are designed to make your A/V device use more convenient, comfortable, productive and cost-efficient.

The DVI splitter can allow multiple video display units connected to one DVI Source and display the same HD picture at the same time. So that you can share one signal source, greatly reduce the cost of system.

Our devices offer solutions for noise, space and security concerns, data center control, information distribution, conference room presentation, school and corporate training environments.

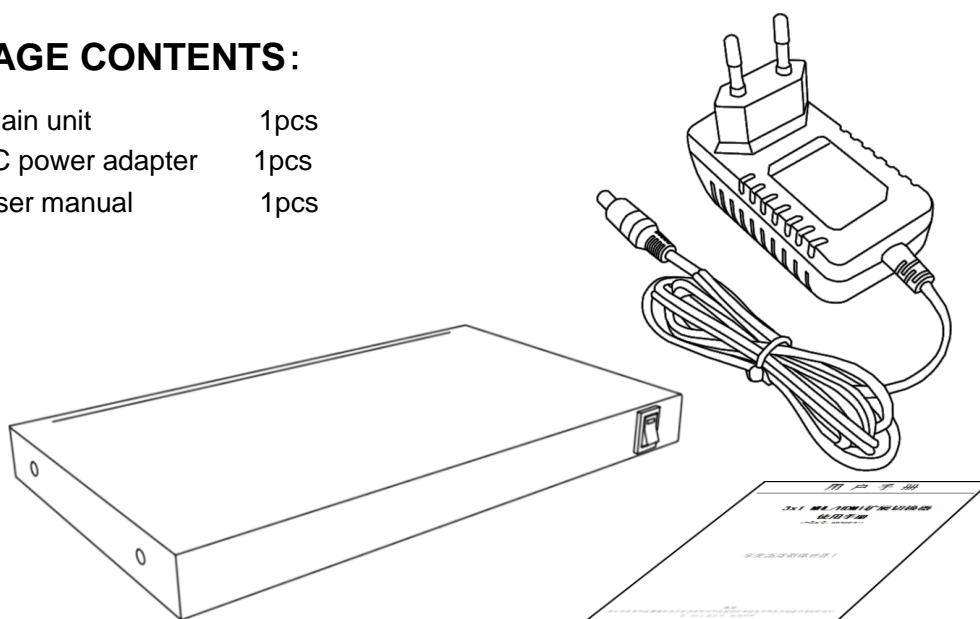
INTRODUCTION

FEATURES:

- 1X DVI-D input and 2/4/8/16X DVI-D output
- Support dual Link DVI-D signal transmission, resolution up to 3840X2160@30Hz
- Support resolution 640X480@60Hz to 3840X2160@30Hz, compatible with the HDMI 1080P standard
- Support for long distance signal transmission
- Installs in minutes, No loss of quality
- Supports wide range voltage DC input (DC5V~12V)

PACKAGE CONTENTS:

- 1. Main unit 1pcs
- 2. AC power adapter 1pcs
- 3. User manual 1pcs



FEATURES OF THE INTERFACE:

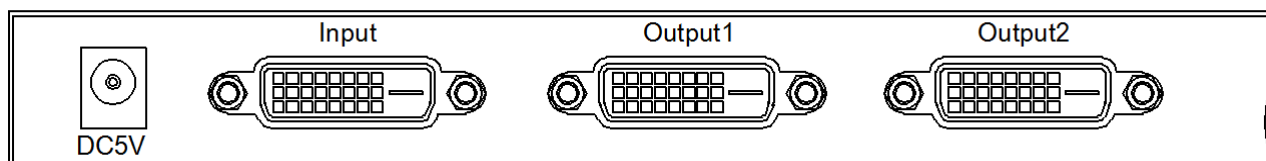


FIG.1.0 Rear Panel View

DC5V: DC input jack (support DC5V~12V input)

Input: Dual link DVI-D input port

Output1~16: Dual link DVI-D output ports

OPERATIONG AND CONNECTION:

1. Connect one dual link DVI-D cable from a DVI signal source into the input port of splitter.
2. Connect dual link DVI-D cables from TV/Monitor into the DVI output ports of splitter.
3. If the resolution is higher than 1920X1080@60Hz, you must use a dual link DVI-D cables, the signal source and the display must be able to support this resolution.
4. Connect DC plug of AC adapter to DC jack and inserted into the power socket.

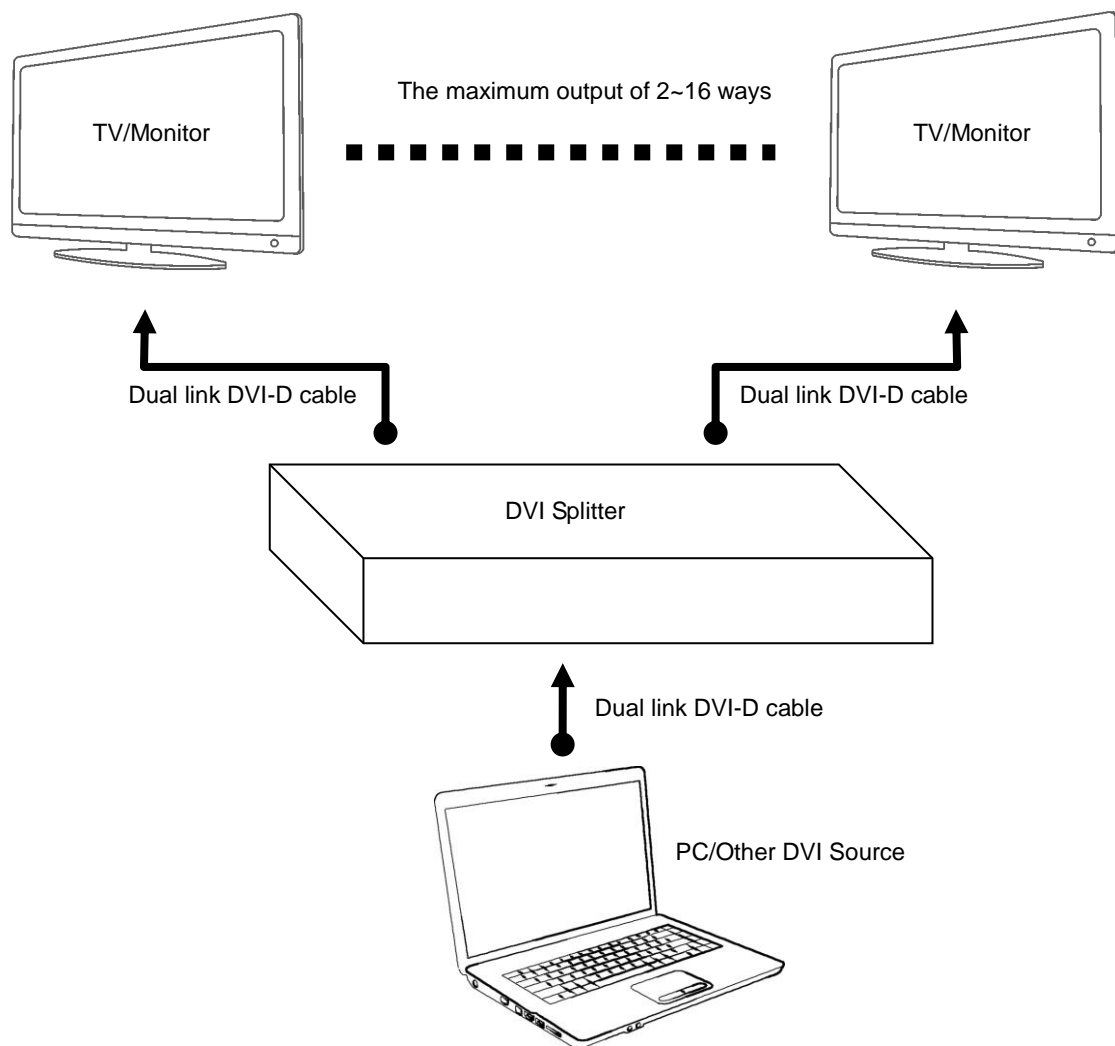


FIG.1.1 CONNECTION DIAGRAM

SPECIFICATIONS:

DVI interface type	Dual link DVI-D
Single link input/output resolution	up to 1920x1080@60Hz
Dual link input/output resolution	up to 3840x2160@30Hz
Support video color format24bit/deep color 30bit,36bit
Max signal bandwidth.....	340MHz
Max baud rate.....	3.4Gbps Serial Link
Input/Output TMDS signal	0.5~1.5Volts p-p(TTL)
Input/Output DDC signal	5Volts p-p (TTL)
DVI input cable distance.....	≤10m AWM 20276 DVI standard cable
DVI output cable distance.....	≤10m AWM 20276 DVI standard cable
Max working current	0.8A/5V
Power adapter	AC 100V~240V 50HZ/60Hz, DC5V/2A
Operating Temperature range	-5 to +45°C
Storage Temperature range.....	-15 to +55°C
Operating Humidity range	10 to 90%RH (No Condensation)
Storage Humidity range.....	5 to 95%RH (No Condensation)
Case Dimension (L x W x H)	179x66x28mm

Notes:

Pls use the machine as the instruction listed to keep the long use lifetime of the machine.

1. The machine should be placed at the spot far from the Damp, High-Temperature, Dusty, Erosive, and oxidative environment.
2. All parts will be free from the strong shake, hit, fall.
3. Touching the power adaptor with the wet hands is prohibited.
4. Pls hold the power adaptor head and do not pull the power cord when cut off from the socket.
5. Pls turn the power off when the machines not used for long time.
6. Pls do not open the cover and do not touch the inside parts.
7. Pls use the original factory power adaptor.

FAQ:

Before power on, pls check the connection line carefully. And make sure that all interfaces are normally connected. The common trouble shooting way shows below:

No.	Problem Description	Solutions
1	Non-Power-Connected	<ol style="list-style-type: none">1. Check if the power adaptor head is truly and correctly inserted the power socket.2. Check the power if it is in on status.
2	No Picture / Abnormal Picture	<ol style="list-style-type: none">1. Confirm the device has been turned on and properly connected.2. Check the signal source output resolution is appropriate.3. Device EDID read error, please reboot.4. Cables selection error. If the resolution is higher than 1920X1080 @60Hz, you must use a dual link DVI-D cables.5. Check the cable quality.
3	Display format is not supported	<ol style="list-style-type: none">1. Display units not support the resolution, you need to change the signal source output resolution.2. Change the signal source refresh frequency.