

200mm (8") One-Shot® Twin Cone Ceiling Speaker

- ✓ Excellent speech intelligibility
- ✓ High quality speaker driver developed for BGM, paging & sound reinforcement applications
- ✓ Patented 6 way latching ensures a neat, sag free installation.
- ✓ High impact styrene grille.
- ✓ 5 year warranty.



Application

The C 2140 is a standard 8 ohm speaker designed for direct connection to a stereo amplifier.

The twin cone 10W driver employed is ideal for background music in stores, boutiques, offices etc.

Testing

Redback® drivers are subject to strenuous factory testing reducing the risk of unit failure or performance reduction over time. Each driver has a power rating well above the max tapping of the transformer, ensuring reliable operation and excellent longevity.

About Redback® Speaker Drivers

Each custom designed speaker has been specifically engineered to ensure a wide frequency range and dispersion angle, plus a high sound pressure level (SPL) ensuring excellent music and speech intelligibility; which is highly desirable.

Redback® drivers exhibit optimum frequency response and efficiency for BGM, sound reinforcement & paging applications.

The Labour Saving One-Shot® Mounting System

Redback® "One-Shot®" speaker units install in seconds providing substantial labour cost savings for the professional installer compared to traditional mounting methods.

They simply snap fit to the ceiling by means of the integral pressure clips. The snap clip material is formulated to retain long service life strength and spring action, ensuring a firm vibration free fit to either gyprock tiles, mineral fibre tiles or fixed gyprock ceilings.

A neutral white RAL colour provides an architecturally unobtrusive finish to virtually any installation.

Installation Guidelines

The C 2140 may be directly connected to a standard stereo amplifier. All One-Shot® speakers are designed for fast installation due to the integral pressure clips which grip to the reverse side of the ceiling tile. They are suit any 10-13mm ceiling tile, including gyprock, mineral fibre or fixed gyprock ceilings. Redback provide an optional tile support or 'ceiling pan' to minimise sag and vibration.

These pans fit inside the 't-bar' supports for the tile ceiling and provide a solid surface on which the One-Shot® clips secure to. Once the hole is cut, these simply slide up into the hole, the speaker is then pushed in until the clips release.

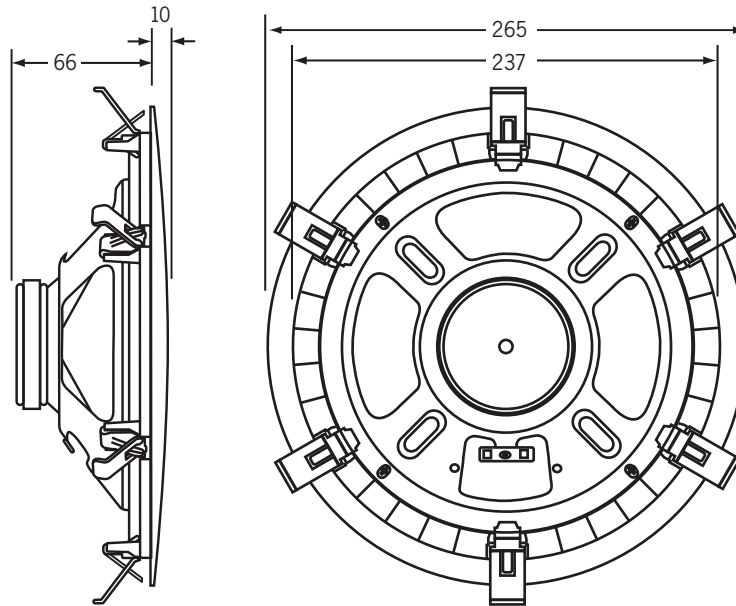
For 200mm (8") models we recommend a speaker hole of 246mm. This is easily cut using the T 2314 holesaw.

Product Guide

200mm (8") 10W 8Ω 2 Way Coaxial Ceiling Speaker



Dimensions



Specifications

Electrical

Power:	10W Max
Impedance:	8Ω
SPL 1W @ 1m:	92dB @ 1kHz (+/- 2dB)
Frequency response:	80Hz-18kHz

Mechanical

Grille material:	High impact styrene
Driver construction:	Paper twin cone
Ceiling cutout:	246Ømm
Grille diameter:	265Ømm
Mounting depth:	66mm
Overall weight:	750g
Colour:	White

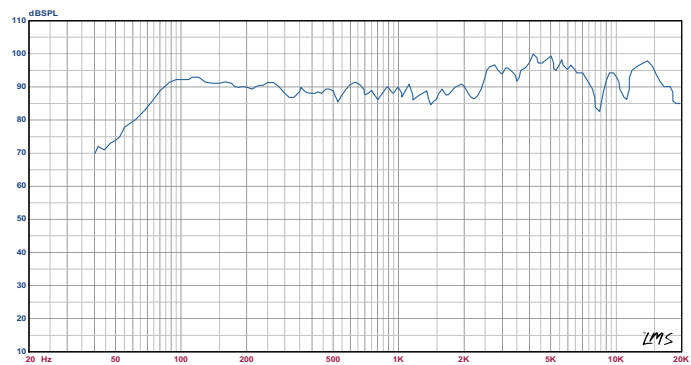
Environmental

Operating temperature:	-25°C to +55°C
Relative humidity:	< 95%

Additional Installation Accessories

Ceiling tile support split ring
Steel ceiling tile support pan
140mm holesaw

Frequency Response (SPL 1W @ 1m)



Architect Specifications

The speaker shall be of 200mm diameter and rated at 50W. It shall have a SPL of 90dB (1W@1m). The speaker shall have an 8 ohm impedance. The speaker shall be attached to a white ABS grill with One-Shot mounting mechanism. The speaker/grille combination shall be a Redback model C 2140.